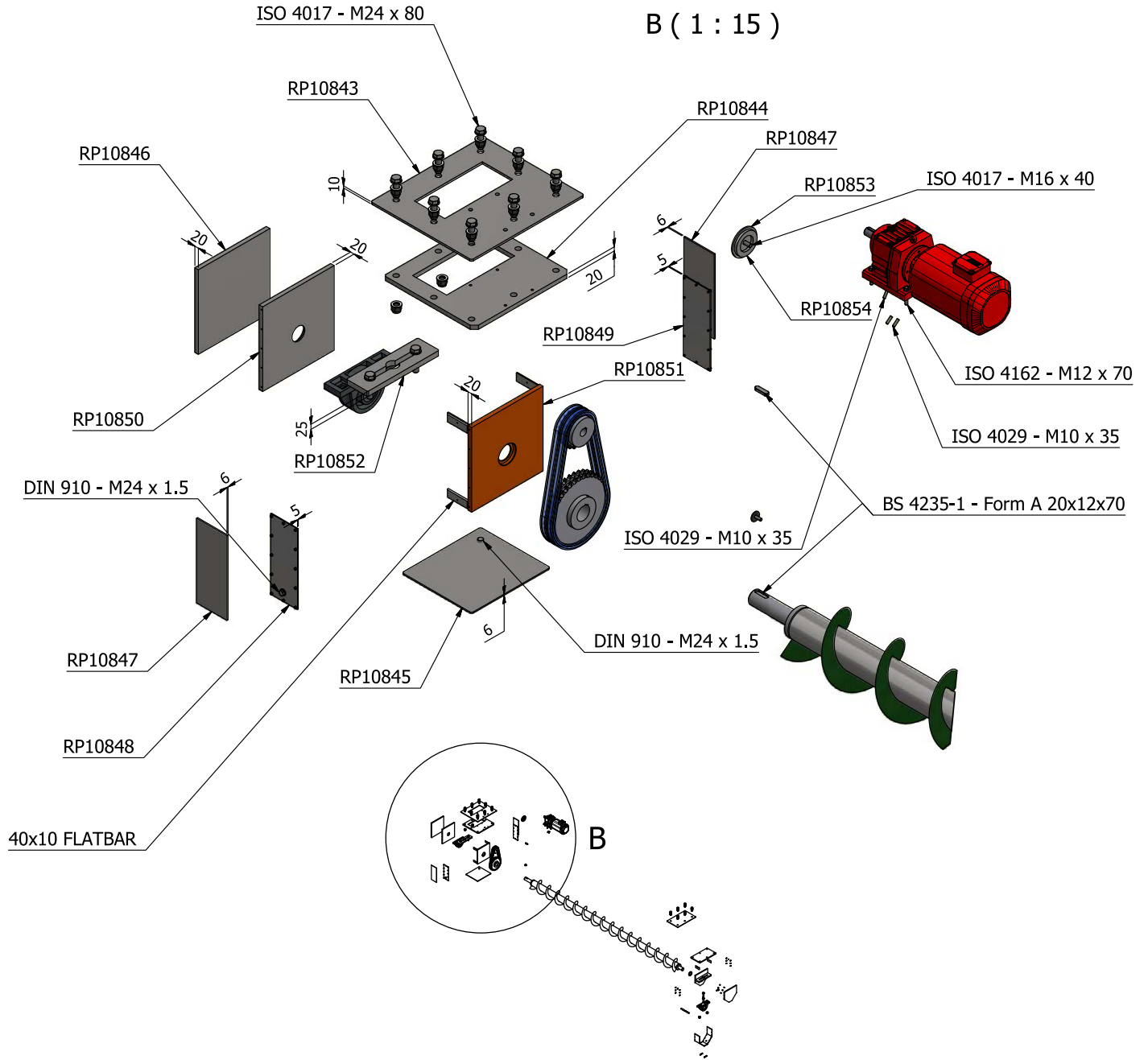


Bespoke Design Auger profiles



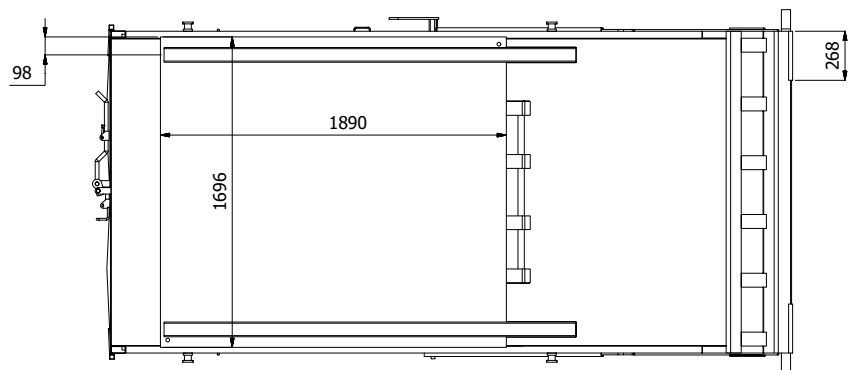
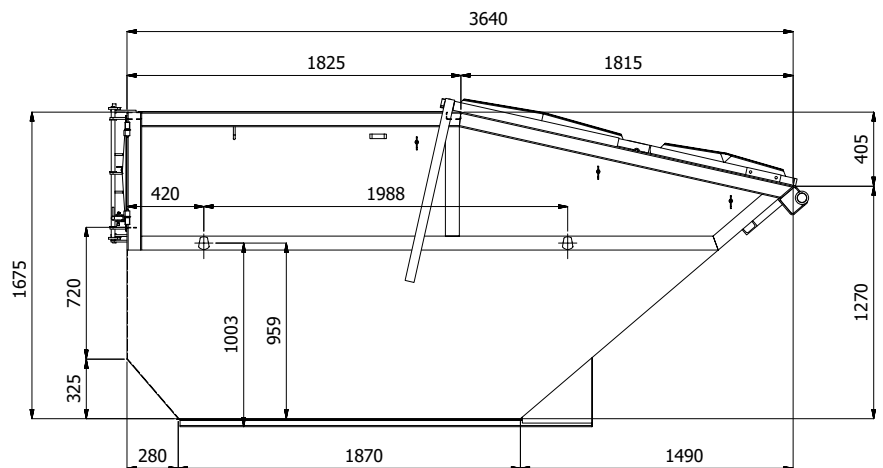
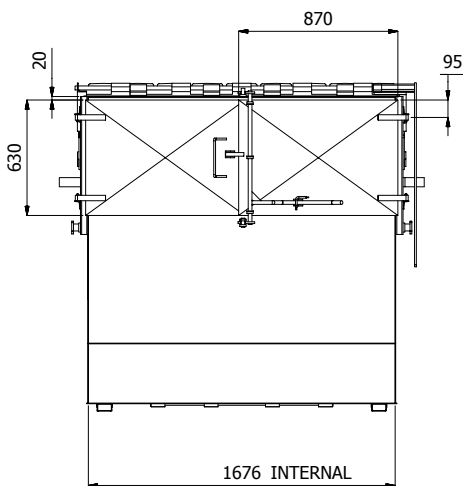
Grade 10.9 fasteners required.

Bespoke Design

10 yd plastic lidded REL

10 cu yd (nom) plastic lidded REL. Fixed pins. Finger locks.

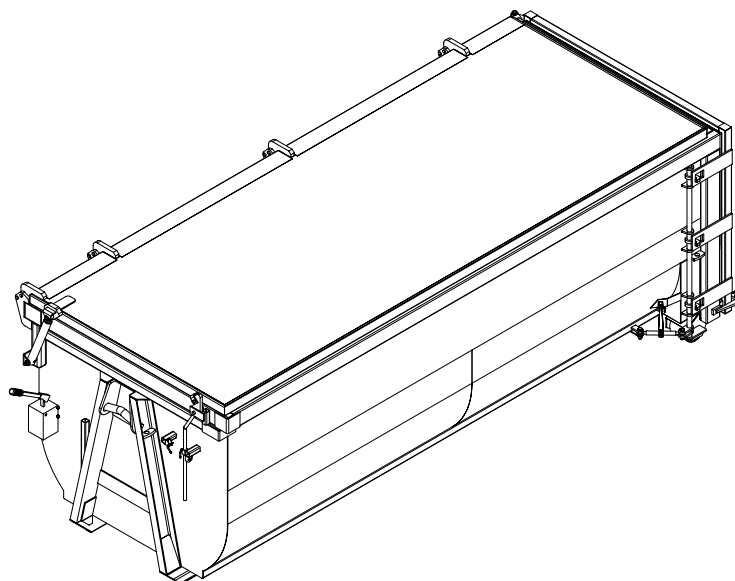
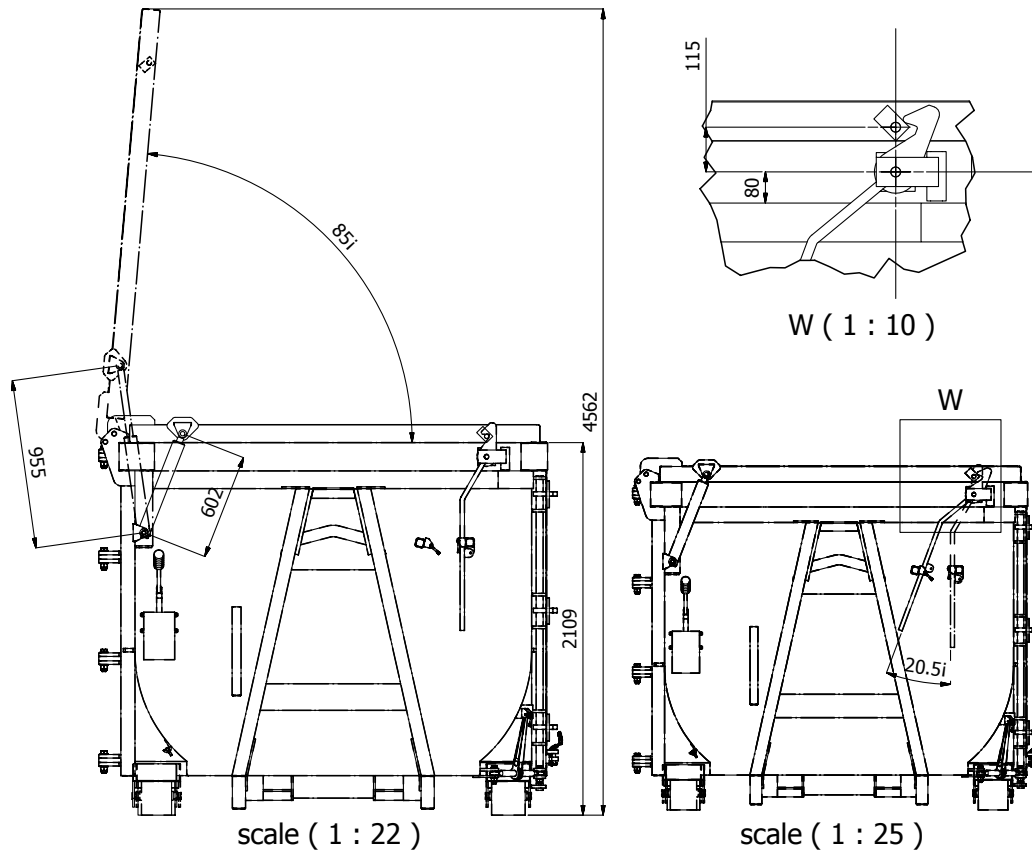
- 80x40x3 RHS
- 76x38 RSC bracing
- 4mm base plate
- 4mm tipend plate
- 3mm non-tipend plate
- 3mm side plates
- 3mm roof plate
- 3mm door plates
- Backing washers on lugs



Bespoke Design

Hooklift container with hydraulic lid

Top lid in closed and open position



Bespoke Design

Randalls Simpak 1800 traverse

1800 Traverser

